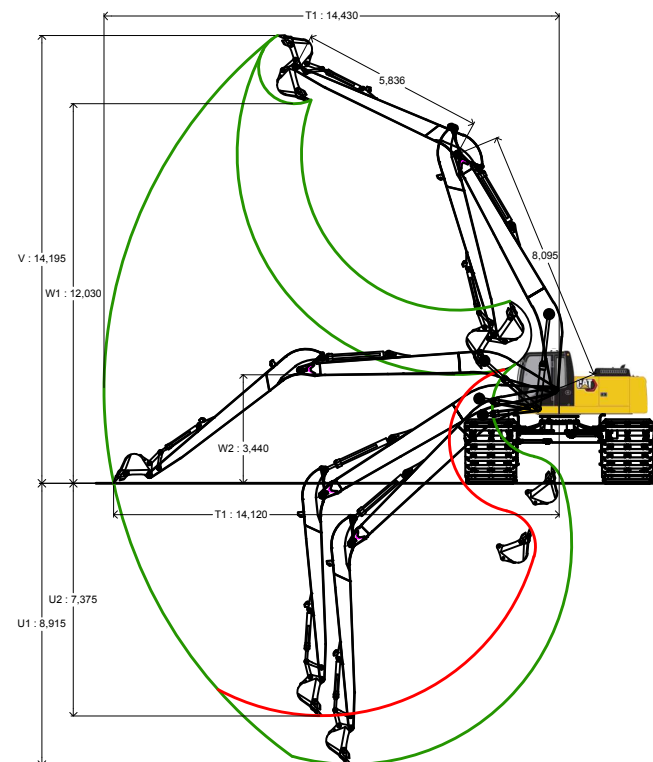


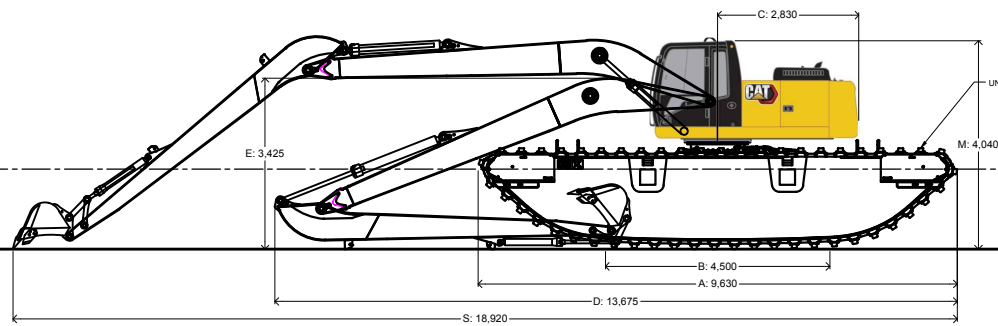
PLAN VIEW



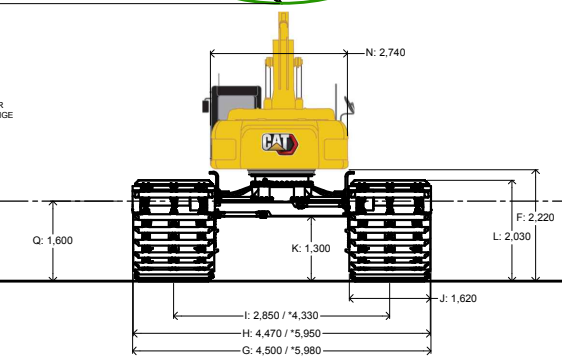
SPECIFICATION	
Upperstructure	CAT320 GX
Undercarrriage	AM200-6 ER
Front Attachment	EIK 14m LR
Bucket Capacity	0.50m³
Total Weight	34,500kg
Ground Pressure	0.159kg/cm²
Speed, Low / High	2.0 / 3.6 km/h
Gradient	35° / 20°

GENERAL DIMENSIONS		
Description		m
A	Maximum Track Length	9.63
B	Track Length On Ground	4.50
C	Rear Upperstructure Length	2.83
D	Overall Length (Parking)	13.68
E	Height of the Boom	3.43
F	Upperstructure Clearance	2.22
G	Overall Width (min / max)	4.50 / 5.98
H	Track Width (min / max)	4.47 / 5.95
I	Track Gauge (min / max)	2.85 / 4.33
J	Pontoon Width	1.62
K	Minimum Ground Clearance	1.30
L	Track Height	2.03
M	Overall Cab Height	4.04
N	Upperstructure Overall Width	2.74
Q	Estimated Water Level	1.60
S	Total Length	18.92

WORKING RANGE		
Description		m
T1	Maximum Reach On Ground	14.12
T2	Maximum Reach	14.43
U1	Digging Depth from Front	8.92
U2	Digging Depth From Side	7.38
V	Maximum Cutting Height	14.20
W1	Maximum Dumping Clearance	12.03
W2	Minimum Dumping Clearance	3.44



SIDE VIEW



FRONT VIEW

Note :
- All dimension and specification may change without prior notice

REV	ECN	DATE	BY	DESCRIPTION	APP
0	N/A	29-08-22	FRD	ISSUE FOR CONSTRUCTION	IR

DIMENSIONS WITHOUT TOLERANCES		
NOM DIM	MACHINED	OTHER
≤10	±0.1	±0.2
>10 - 30	±0.1	±0.5
>30 - 150	±0.2	±0.5
>150 - 300	±0.3	±0.8
>300 - 1000	±0.5	±1.0
>1000 - 2000	±1.0	±2.0
>2000 - 5000	±1.5	±2.0
≥5000	±2.0	±3.0

CONFIDENTIAL
This drawing embodies confidential information, the property of EIK ENGINEERING SDN BHD, to whom the copy right belongs. This drawing may not be copied or used for any purpose other than that for which it was made available except with the prior written consent of EIK ENGINEERING SDN BHD and provision of this drawing does not grant any rights under any industrial property rights of EIK ENGINEERING SDN BHD, nor of any third party.
(F-RD-03-2)

ALL DIMENSIONS IN MM UNLESS STATED OTHERWISE
IF IN DOUBT ASK
THIRD ANGLE

TITLE		AM200-6 ER + 14m EIK LR + CAT320 GX	
	EIK ENGINEERING SDN BHD	DRAWN	FARID
	NO. 10, JALAN SILC ¼, KAWASAN PERINDUSTRIAN SILC, 79200 ISKANDAR PUTERI, JOHOR, MALAYSIA.	CHECKED	HISHAMM
	TEL : +607-5319922 FAX : +607-5319919 http://www.eikengineering.com	APPROVED	IRSHAHRIN
PROJECT	EIK AMPHIBIOUS UNDERCARRIAGE	SCALE	33 : 5000
CLIENT	EIK PRODUCTION	DWG.	ED00024628